

Fig. 1A

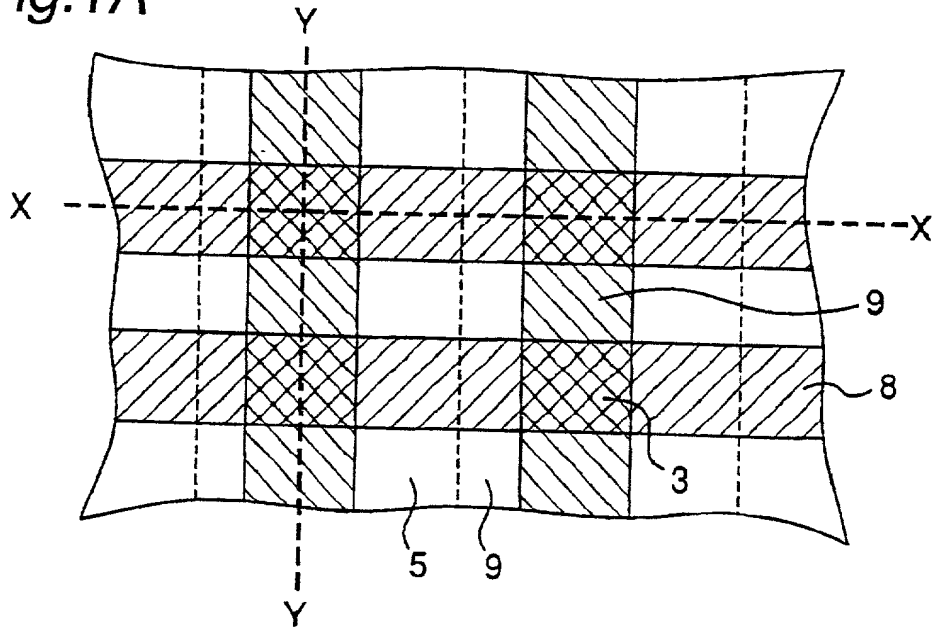


Fig. 1B

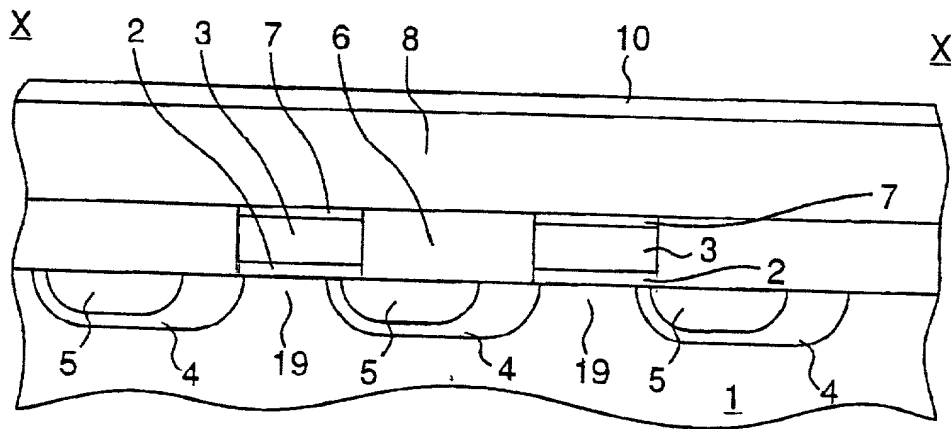


Fig. 1C

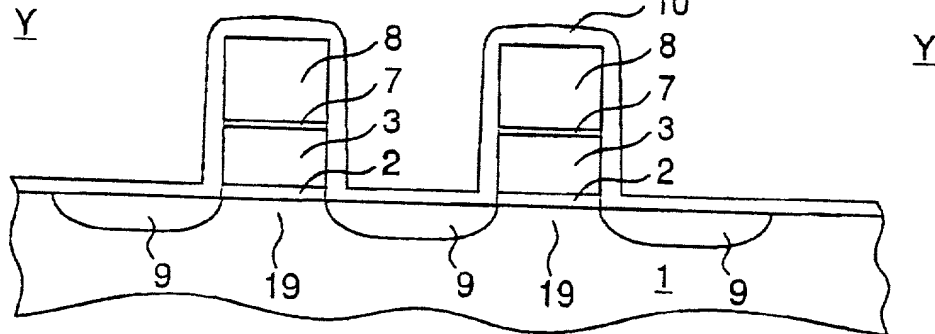


Fig.2

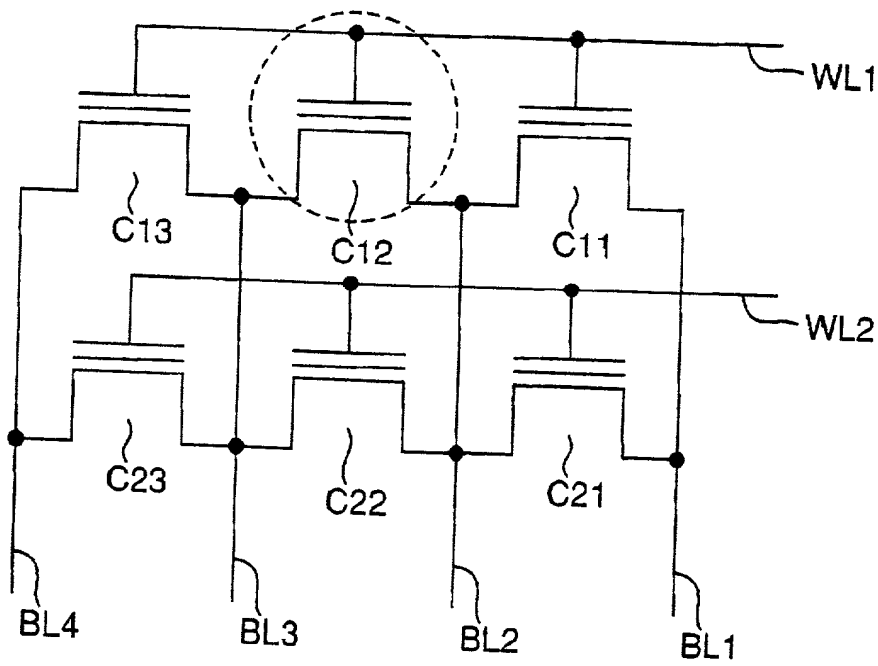


FIG. 2

Fig.3A

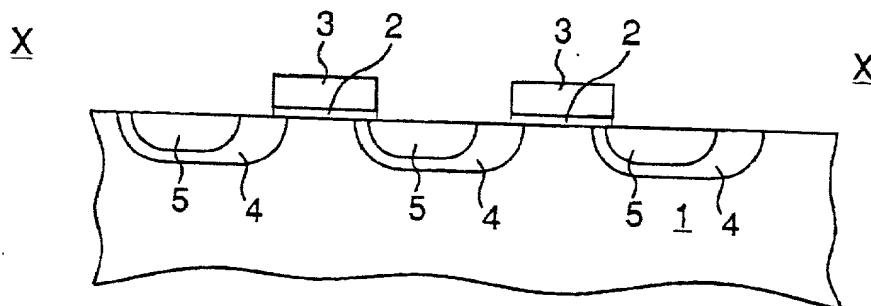


Fig.3B

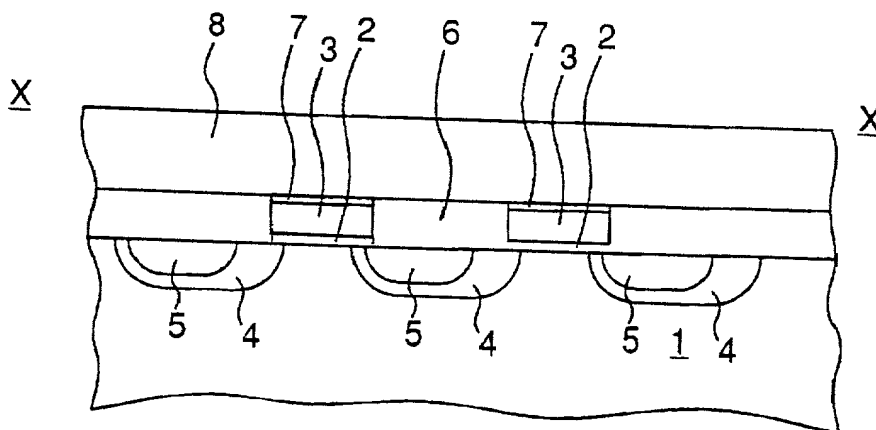


Fig.3C

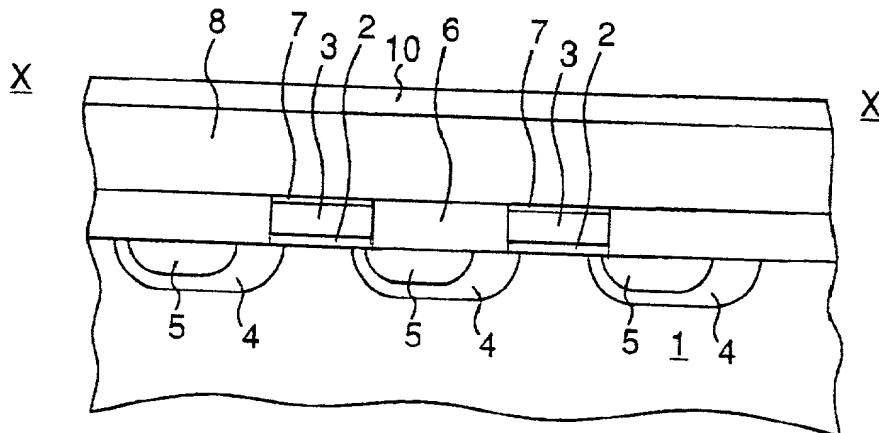


FIG. 3A

Fig.4A

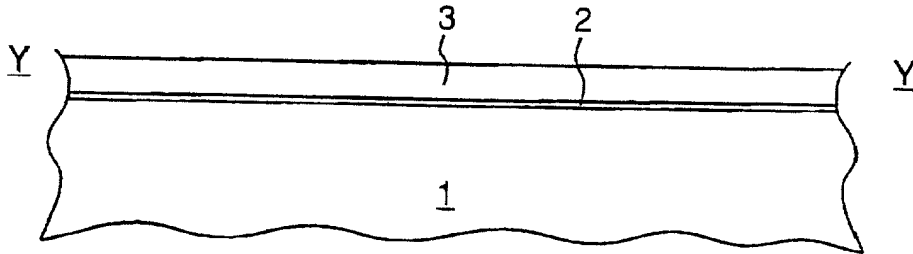


Fig.4B

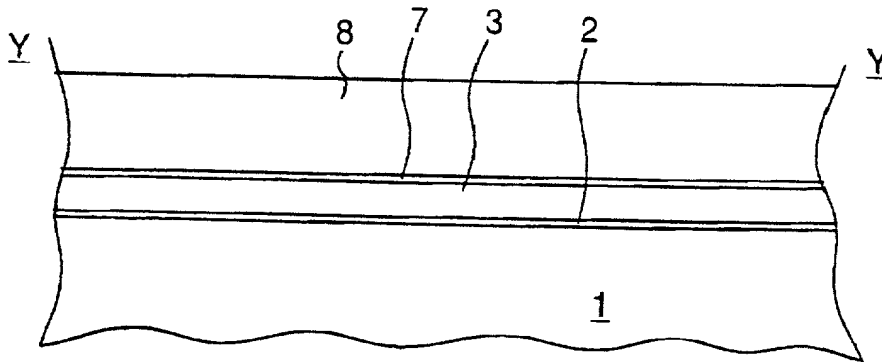


Fig.4C

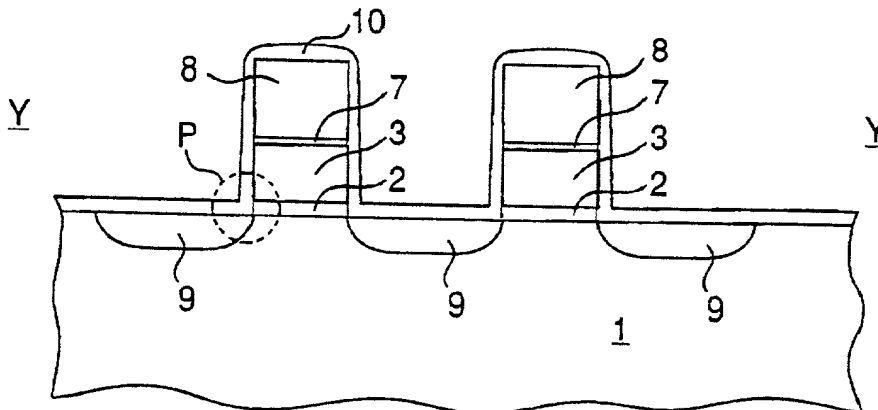


Fig.5A

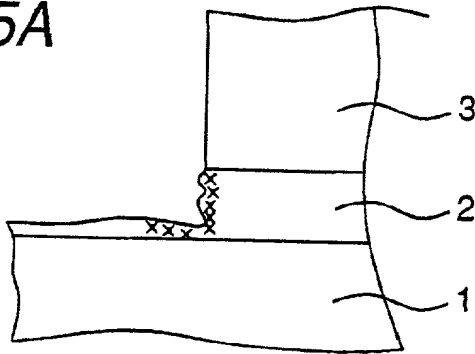


Fig.5B

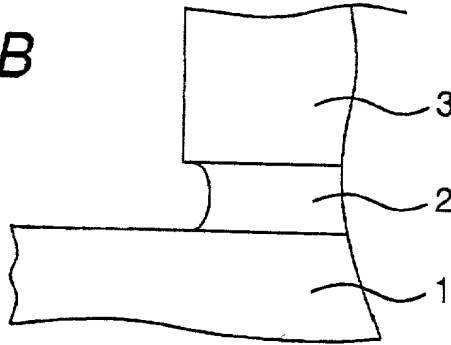


Fig.5C

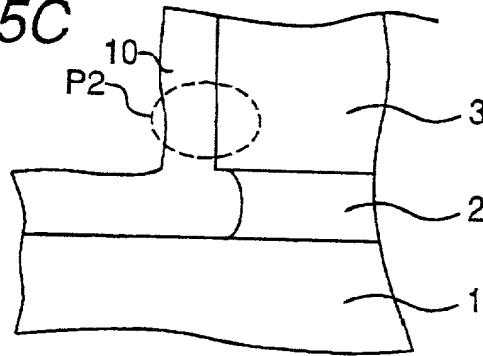
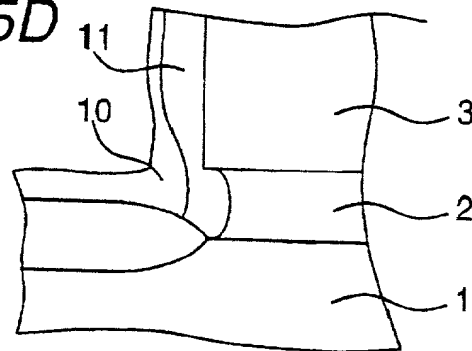


Fig.5D



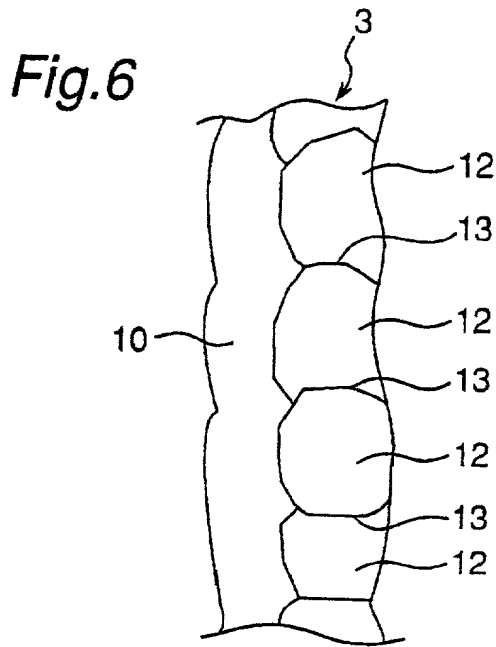


Fig.7 PRIOR ART

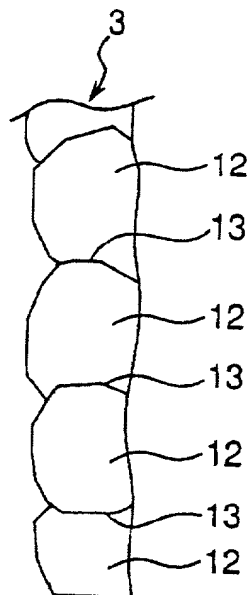


Fig. 8

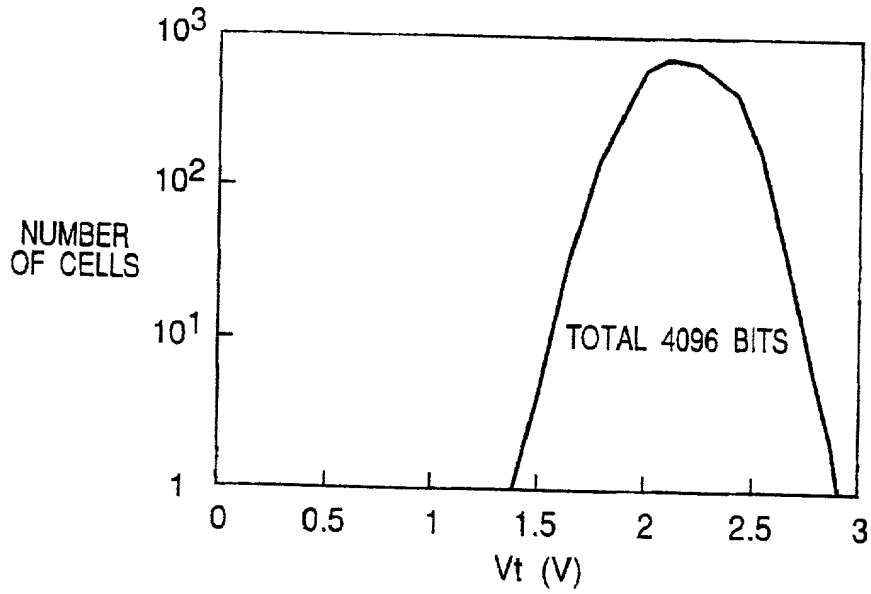


Fig. 9 PRIOR ART

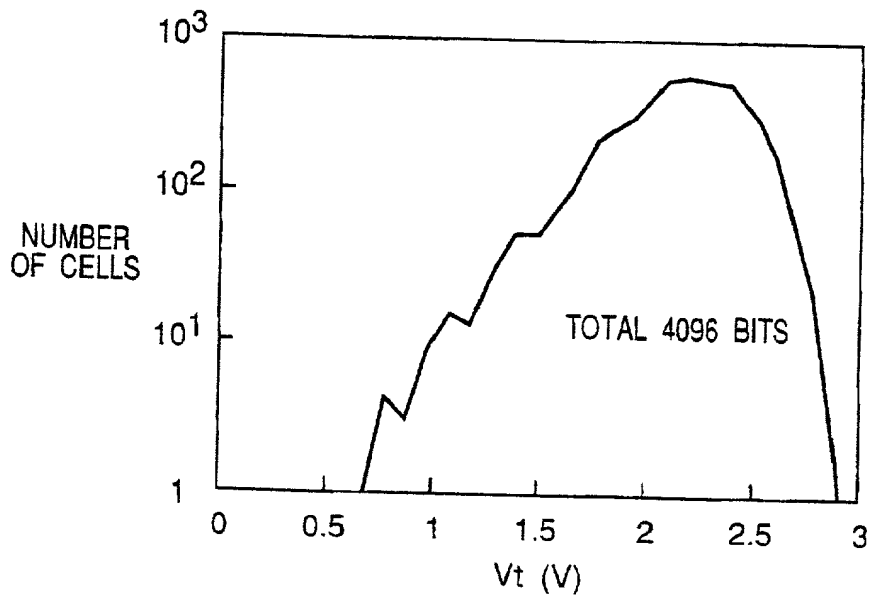


Fig.10A PRIOR ART

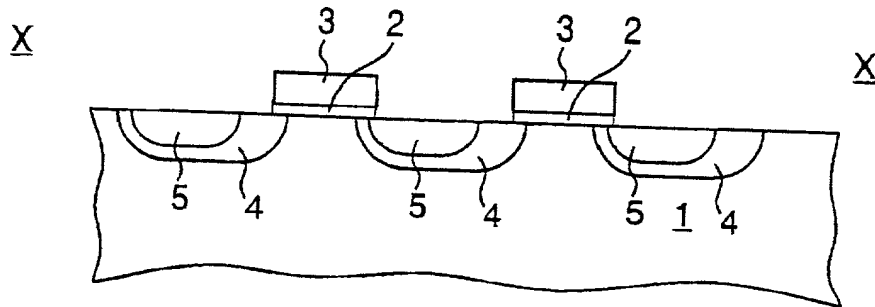


Fig.10B PRIOR ART

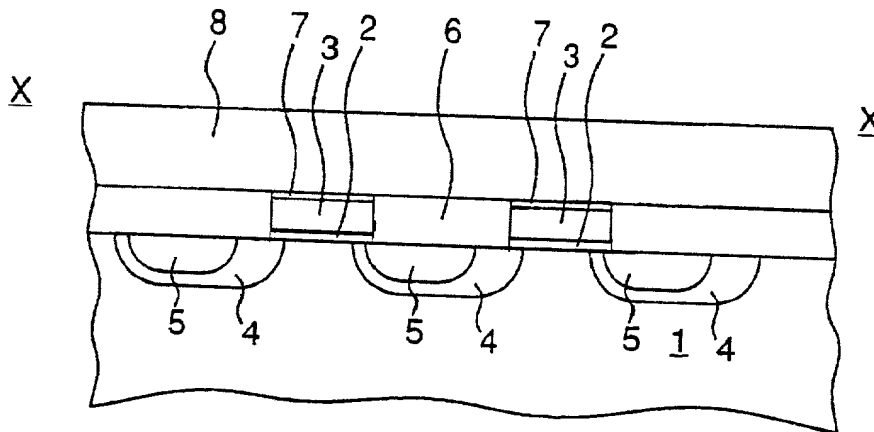
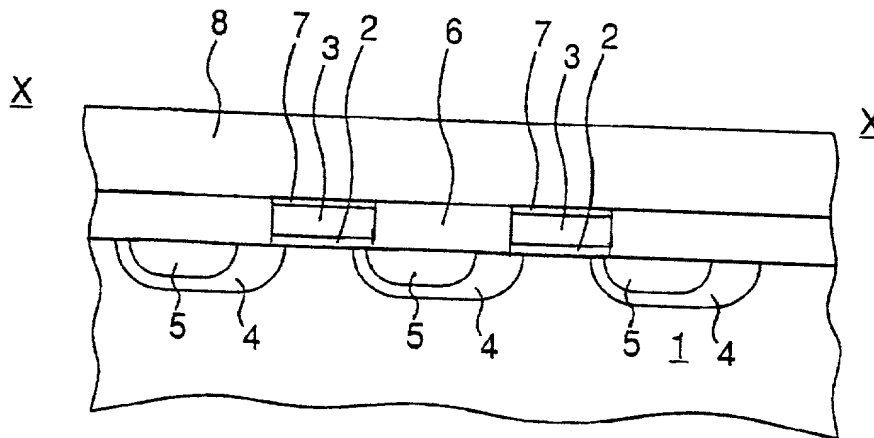


Fig.10C PRIOR ART



FOR OFFICIAL USE ONLY

Fig.11A PRIOR ART

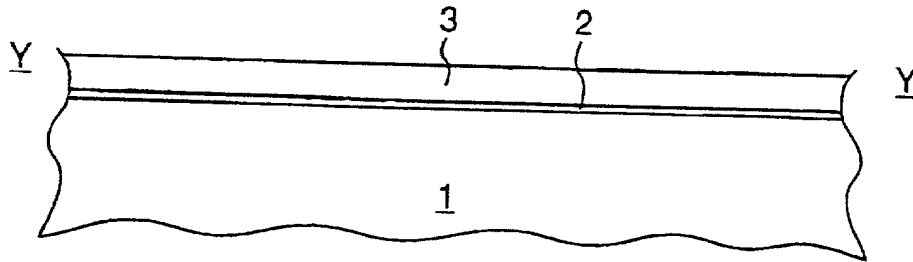


Fig.11B PRIOR ART

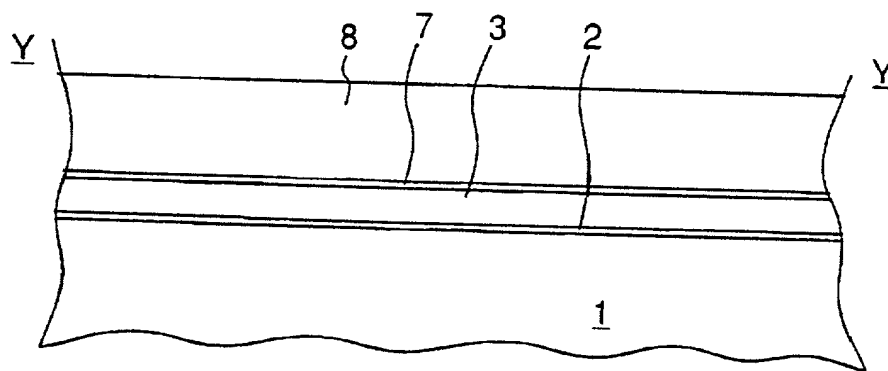
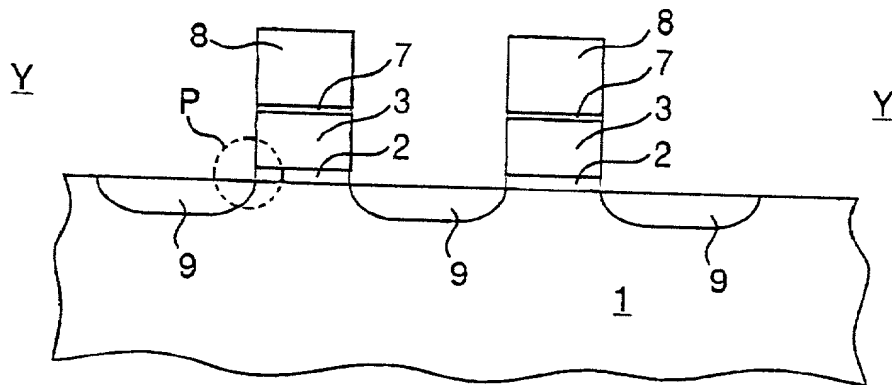


Fig.11C PRIOR ART



FOR OFFICIAL USE ONLY

Fig.12A PRIOR ART

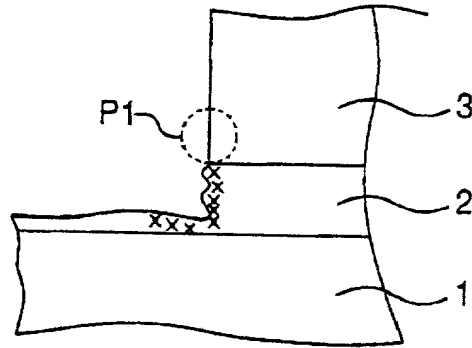


Fig.12B PRIOR ART

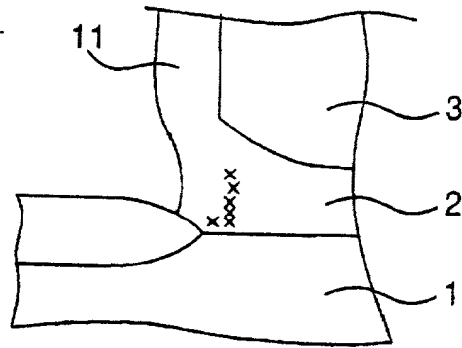
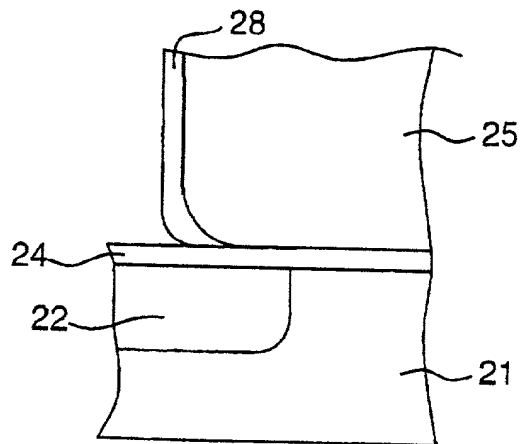


Fig.13 PRIOR ART



FOR OFFICIAL USE ONLY